

SM23 Series - Technical Parameters

POWERMAX - Pacific Scientific

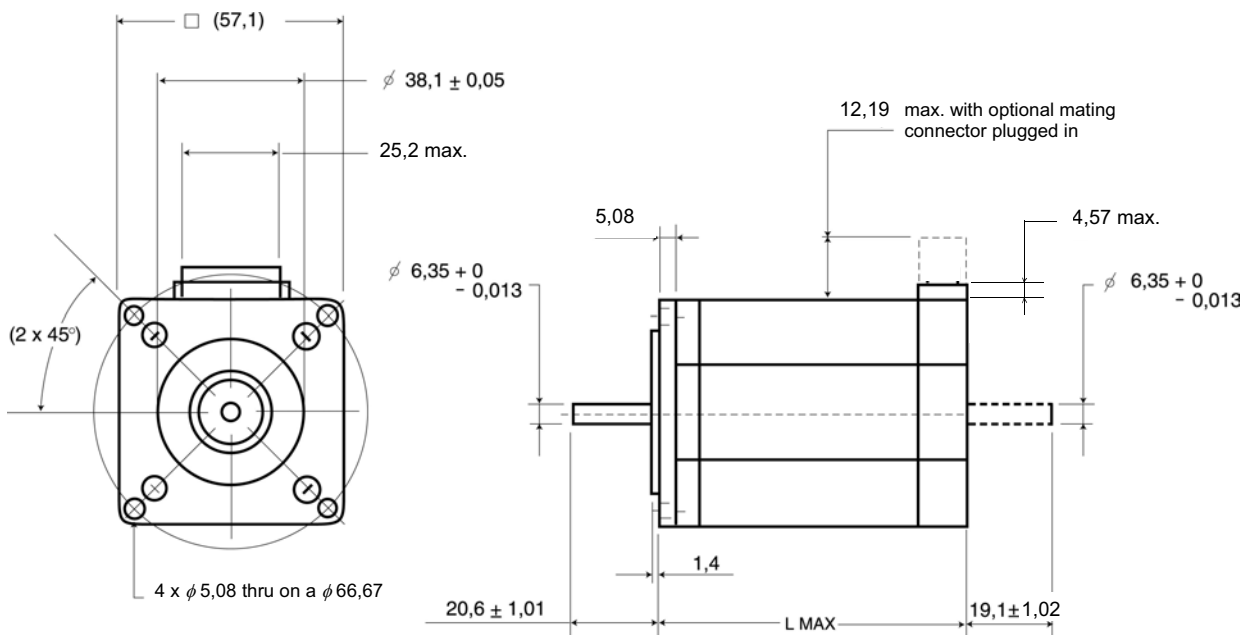
Model	Holding Torque (2 phases on) (Nm)	Rated Current/Phase (A) series / parallel	Phase Inductance (mH) series / parallel	Phase Resistance (Ω) series / parallel	Detent Torque (Nm)	Highest Running Torque for 500 Hz (Nm)	Rotor Inertia (kg m ² 10 ⁻³)	Weight (kg)
SM2317-0800 (P21NRXC)	0,8	1,75 / 3,5	9,2 / 2,3	2,12 / 0,53	0,028	0,64	0,012	0,68
SM2321-1400 (P22NRXB)	1,5	2,3 / 4,6	8,4 / 2,1	1,52 / 0,38	0,049	1,1	0,025	1,13
SM2321-1800 (M22NRXB)	1,8		6,8 / 1,7		0,12	1,35		

Additional models (other windings, double shaft configuration, etc.) are offered.

NEMA 23 Frame Frame outer dimensions 57,1 x 57,1 mm
 Full Step Angle 1,8°
 Angular Accuracy ± 0,06°
 Insulation NEMA Class B, 130° C

Dimensions (mm)

Series	Shaft φ	Length L max
SM2317	6,35	52,4
SM2321		78,8



SM30 Series - Technical Parameters

POWERPAC - Pacific Scientific

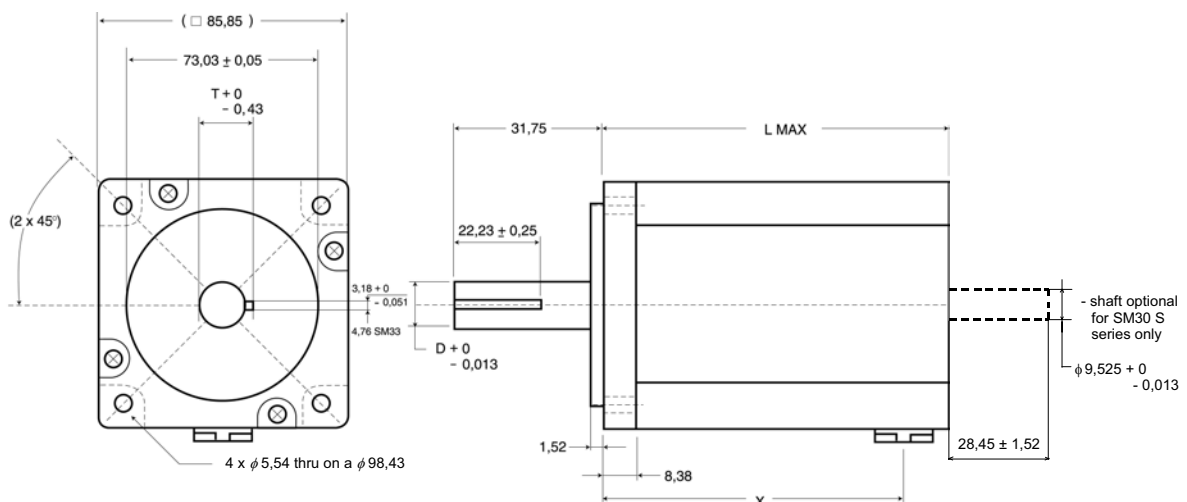
Model	Holding Torque (2 phases on) (Nm)	Rated Current/Phase (A)	Phase Inductance (mH)	Phase Resistance (Ω)	Detent Torque (Nm)	Highest Running Torque for 500 Hz (Nm)	Rotor Inertia (kg m ² 10 ⁻³)	Weight (kg)
		series / parallel	series / parallel	series / parallel				
SM31-2704S (N31HRFJ) SM31-2704IP (N31HMFJ)	4,5	2,7 / 5,5	14 / 3,5	1,69 / 0,42	0,13	3,3	0,14	2,27
SM31-4304S (N31HRFL) SM31-4304IP (N31HMFL)		4,3 / 8,6	5,8 / 1,4	0,72 / 0,18				
SM32-2508S (N32HRFJ) SM32-2508IP (N32HMFJ)	8,5	2,5 / 5,1	26 / 6,5	2,53 / 0,63	0,25	6,5	0,27	3,81
SM32-5008S (N32HRFM) SM32-5008IP (N32HMFM)		5 / 10	7 / 1,8	0,7 / 0,18				
SM33-4513S (N33HRFL) SM33-4513IP (N33HMFL)	13	4,5 / 9	13,6 / 3,4	1,06 / 0,26	0,38	9,5	0,4	5,39

Additional models (other windings, double shaft configuration, etc.) are offered.

NEMA 34 Frame	Frame outer dimensions 85,85 x 85,85 mm
Full Step Angle	1,8°
Angular Accuracy	± 0,06°
Insulation	NEMA Class B, 130° C
Motor Sealing - SM30IP Series		IP65
Shaft Sealing - SM30IP Series		IP54 (IP65 with auxiliary shaft sealing - optional)

Dimensions (mm)

Series	Shaft		Length	
	φ D	T	L max	X
SM31 S / IP	12,70	14,10	79,50 / 112,78	- / 93,98
SM32 S / IP			118,11 / 151,38	- / 132,59
SM33 S / IP	15,875	17,91	156,72 / 189,99	- / 171,20



SM40 Series - Technical Parameters

POWERPAC - Pacific Scientific

Model	Holding Torque (2 phases on) (Nm)	Rated Current/ Phase (A)	Phase Inductance (mH)	Phase Resistance (Ω)	Detent Torque (Nm)	Highest Running Torque for 500 Hz (Nm)	Rotor Inertia (kg m ² ·10 ⁻³)	Weight (kg)
		series / parallel	series / parallel	series / parallel				
SM41-2711IP (N41HMFJ)	11	2,7 / 5,5	40,4 / 10,1	2,33 / 0,58	0,3	8	0,55	4,98
SM41-5311S (N41HRLM)		5,3 / -	11,1 / -	0,63 / -				
SM41-5311IP (N41HMFJ)		5,3 / 10,7	11,1 / 2,8	0,63 / 0,16				
SM42-4922S (N42HRLM)	22	4,9 / -	22 / -	1,02 / -	0,59	15	1,09	8,34
SM42-4922IP (N42HMFJ)		4,9 / 9,9	22 / 5,5	1,02 / 0,25				
SM43-4930S (N43HRLM)	30	4,9 / -	30,7 / -	1,32 / -	0,75	21	1,62	11,64
SM43-4930IP (N43HMFJ)		4,9 / 9,9	30,7 / 7,7	1,32 / 0,33				
SM43-7730IP (N43HMFN)		7,7 / 15,4	13 / 3,2	0,55 / 0,14				
SM43-4940IP (K43HMFJ)	40	4,9 / 9,9	23,7 / 5,9	1,32 / 0,33	0,83	29		

Additional models (other windings, double shaft configuration, etc.) are offered.

NEMA 42 Frame	Frame outer dimensions 109,86 x 109,86 mm
Full Step Angle	1,8°
Angular Accuracy	± 0,06°
Insulation	NEMA Class B, 130° C
Motor Sealing - SM40IP Series		IP65
Shaft Sealing - SM40IP Series		IP65 (without auxiliary shaft sealing IP54)

Dimensions (mm)

Series	Shaft φ	Length	
		L max	X
SM41 S / IP	19,05	98,81 / 132,08	- / 113,28
SM42 S / IP		150,11 / 183,39	- / 164,59
SM43 S / IP		201,17 / 234,44	- / 215,65

